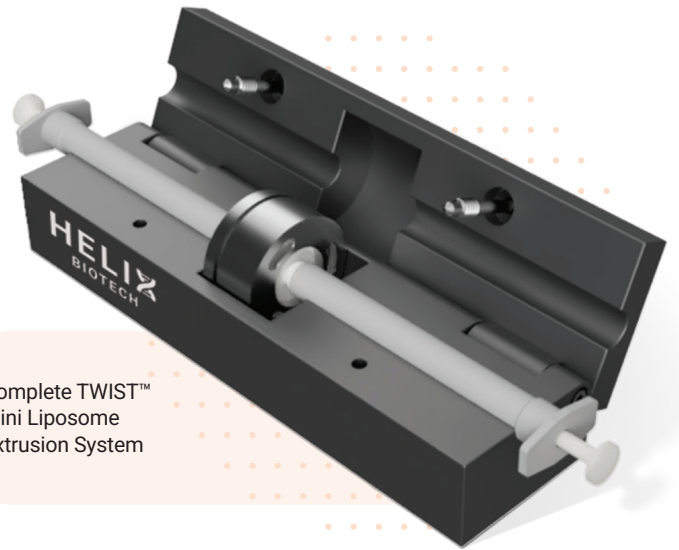


TWIST™ Mini Liposome Extrusion System



The TWIST™ Mini Liposome Extruder System is an all-inclusive modular liposome extrusion system. The intuitive design allows novice and expert users the ability to create liposome particles ranging from 50 nm to 10 um in diameter. With the heat block and extruder base, users have extended liposome creation capabilities and an easy, ergonomic set up.

The TWIST™ System is the perfect solution for small scale R&D and liposome exploration projects.



Complete TWIST™
Mini Liposome
Extrusion System

TWIST™ System Features

- Ready to use pre-assembled consumable pods for ease of use
- High quality reusable & autoclavable milled aluminum construction.
- Established Protocols available
- Extrusion volumes of 1-100 mL per pod
- For manual use or can be adapted to automated extrusion systems
- Precision engineering guarantees a leak-free seal

Purchase the TWIST™ System Online [➤](#)

TWIST™ Mini Starter Kit Contents

- TWIST™ Mini Extruder Base and Heat Block
- TWIST™ Extruder Pod, pack of 8 (users choice)
- TWIST™ Turnkey
- TWIST™ Pod Cartridge
- 20-pack of 1mL syringes



Contact Our Experts at

sales@helix-biotech.com

for Pricing & Start Up Packages

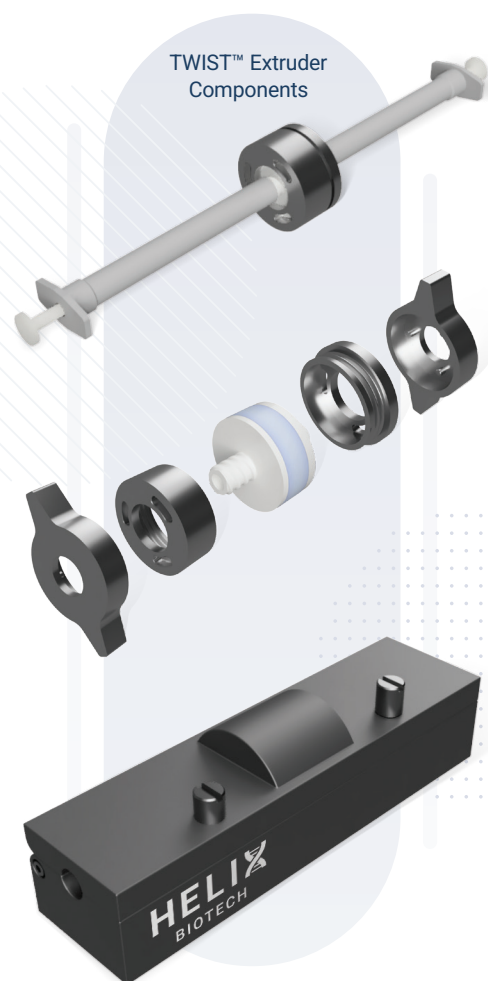
EXTRUDER PODS

- Extruder consumables available in packs of 8
- Extrusion volumes of 1-100 mL
- 9 Sizes available - 50nm, 80nm, 100nm, 200nm, 400nm, 800nm, 1 µm, 5 µm, 10 µm



READY TO USE REAGENTS

- Ionizable lipids & helper lipids (cholesterol, PEGs, etc.)
- Preformulated lipids in solution ready for extrusion
- Cayman Chemical LNP exploration kits
- RNA (eGFP, Fluc, more)



Visit our website to learn more
about our products and services



- Liposome extrusion supplies - pre-formulated & kits
- Nova BT - LNP manufacturing System
- Contract Services - Research & GMP Production